

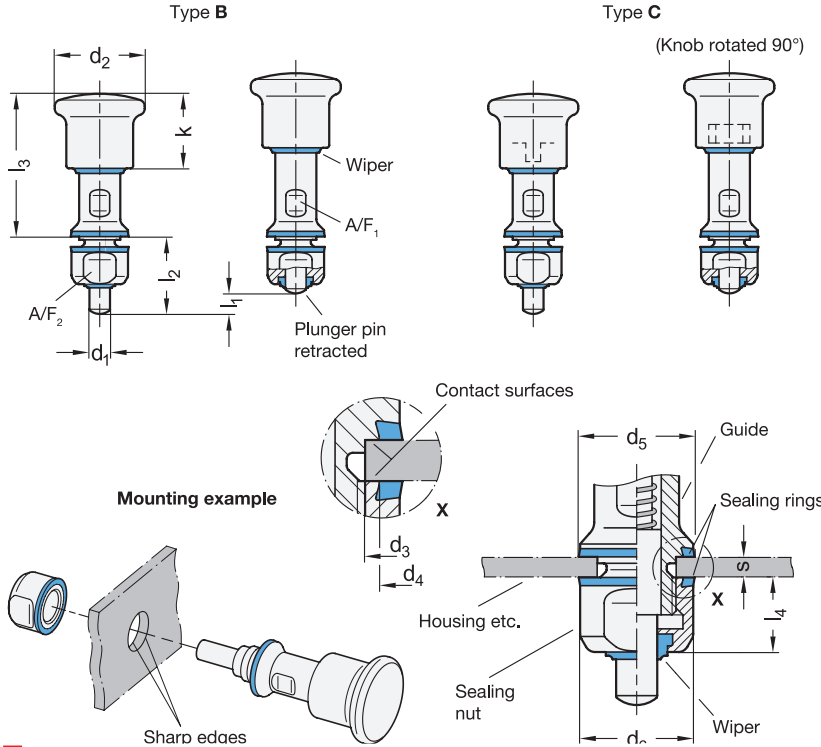


2 Type

- B** Without rest position
- C** With rest position

3 Identification

- VH** Knob and pin side Hygienic Design (full hygiene)



d ₁ Pin f8 Bore H8	d ₂	d ₃ -0,1	d ₄	d ₅	d ₆	l ₁	l ₂	l ₃	l ₄	k	s		A/F ₁	A/F ₂	Spring load in N ≈	
											Clamping length min.	max.			Initial	End
6	35	16	18	22,8	22	6	27,5	51,5	14,5	30	1,5	4	14	18	20	36
8	35	16	18	22,8	22	8	29,5	56,5	14,5	30	1,5	4	14	18	22	32

Specification

Guide / Plunger pin / Knob / Nut

Stainless steel AISI 316
Plunger pin surface hardened

Pressure spring

Stainless steel AISI 316Ti

Seals

- Blue
- FDA compliant material
- Operating temperature -25 °C to +110 °C
- Sealing ring
HNBR, hardness 85 ±5 Shore A
- Wiper
TPU, hardness 95 ±5 Shore A

H

All moving parts

Lubricated, grease FDA-compliant (NSF H1)

RoHS

Technical Information

Page

Product Family Hygienic Design	QVX
List of Indexing Plunger Types	QVX
ISO Fundamental Tolerances	QVX
Plastic Characteristics	QVX
Stainless Steel Characteristics	QVX

Indexing plungers GN 8170 are certified according to DGUV Test guidelines, and with their additional sealing nuts, they meet hygiene requirements on the knob and pin sides (full hygiene).

Wipers between knob and guide and between guide and pin as well as sealing rings on the guide and sealing nut keep the locking mechanism leak-tight. At the same time, the high surface quality (Ra < 0,8 µm) and dead-space-free mounting prevent dirt from adhering and facilitate cleaning. Indexing plungers with a rest position (Type C) are used for such applications where the plunger has to stay in its retracted position. In that case, the knob is retracted and afterwards turned by 90°. A notch keeps the plunger in this position.

Through-holes in the housing must be at a right angle, free of burrs and without a chamfer. This ensures that the sealing rings will function properly.

see also...

GN 8170 Indexing Plungers (Front Hygiene)

Page

QVX

Accessory

GN 7600 Sealing Rings

QVX

How to order

GN8170-6-B-VH-H

1	d ₁
2	Type
3	Identification
4	Material (Sealing ring)

3.1
3.2
3.3
3.4
3.5
3.6
3.7
3.8
3.9
3.10