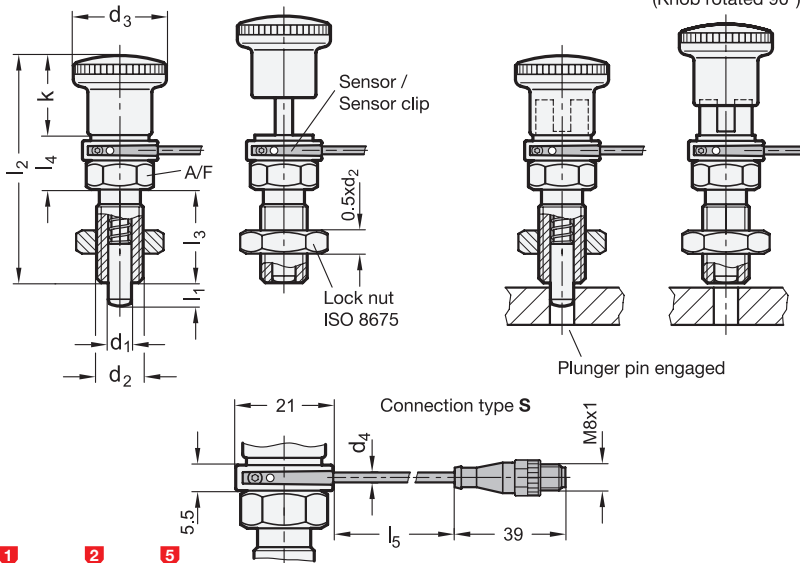


Type EB

Type EC

(Knob rotated 90°)



3 Type

- EB** With engagement monitoring, without rest position
- EC** With engagement monitoring, with rest position

4 Connection type

- S** Plug

d ₁ Pin -0.02 Bore H7	l ₁	Cable length in meter	d ₂	d ₃	d ₄	k	l ₂	l ₃	l ₄	A/F	Spring load in N ≈	
											Initial	End
4	6	0,5	M 8 x 1	16	2	14	41,5	16	11,5	10	4	12,5
5	8	0,5	M 10 x 1	19	2	16	46,5	18	12,5	12	5	18
6	9	0,5	M 12 x 1,5	23	2	20	54,5	22	12,5	14	6	25
8	12	0,5	M 16 x 1,5	28	2	24	64,5	26	14,5	17	8,5	28
10	12	0,5	M 16 x 1,5	28	2	24	64,5	26	14,5	17	9,5	38
12	15	0,5	M 20 x 1,5	33	2	28,5	78	33	16,5	22	11,5	40
16	20	0,5	M 24 x 2	33	2	28,5	85	38	18,5	27	13	54

Specification

- Stainless steel AISI 303
Plunger pin chemically nickel plated
- Knob
Plastic (Polyamide PA)
- Black, matte finish
- Not removable
- Magnet
Hard ferrite
- Sensor / Sensor clip
Plastic (Polyamide PA)
Black, matte finish
- Cable (Outer sheath)
Polyurethan PUR, black
- Hex nut ISO 8675
Stainless steel
- Load Rating Information → Page 2132
- ISO Fundamental Tolerances → Page 2151
- IP Protection Classes → Page 2153
- Plastic Characteristics → Page 2158
- Stainless Steel Characteristics → Page 2166
- RoHS

Information

Indexing plungers GN 817.6 with sensor for position monitoring allow the electronic monitoring of the plunger pin state. For this purpose, a magnet is integrated into the plunger pin that switches the sensor upon engaging after approx. ⅓ of the locking distance l₁.

The sensor electronics then outputs a high signal, e.g. to a machine control, and additionally indicates this switch state with an LED on the sensor.

To prevent faults, no external magnetic fields should be acting on the indexing plunger. The indexing plungers GN 817.6 are delivered with enclosed sensor, sensor clip, Allen® wrench and a hexagon nut.


see also...

- List of Indexing Plunger Types → Page 884 ff.
- Indexing Plungers GN 717 / GN 817 (Steel / Stainless Steel)
→ Page 912 / 913 / 898
- Cables with Connector Coupling GN 330 → Page 1412

How to order

1	d ₁
2	l ₁
3	Type
4	Connection type
5	Cable length l ₅

GN817.6-10-12-EB-S-0,5

Electrical properties of the sensor	
Output function	Normally open (NO)
Switch output	PNP
Supply voltage	10 - 30 V DC
Continuous current I_a	≤ 100 mA
Connection type Plug (S)	3-pole plug M8x1, freely rotating with knurled screw connection, with PUR cable 0.5 m
Protection class	IP 67
Switching frequency	1,000 Hz
Power consumption	≤ 8 mA
Voltage drop	≤ 2.5 V
Protection class	III
Response sensitivity	2.8 mT
Temperature range	-25 °C ... +75 °C
Shock and vibration resistance	30 g, 11 ms / 10 ... 55 Hz, 1 mm
EMC	acc. EN 60947-5-2
Reverse polarity protection	Yes
Short-circuit protection	Yes
Activation impulse suppression	Yes
Approvals, conformities CE declaration	

3.1

3.2

3.3

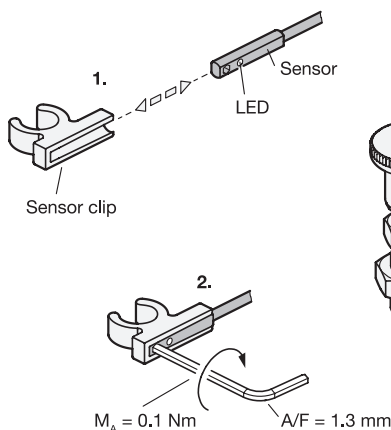
3.4

3.5

3.6

3.7

Assembly instruction



The position of the sensor cable can be chosen freely during installation of the sensor clip.

Installation steps:

1. Insert the sensor into the sensor clip from the side.
2. Tighten the hexagon socket screw of the sensor.
3. Clip the sensor clip into the ring groove of the indexing plunger in any orientation and then adjust the direction by turning, if necessary.

3.8

3.9

