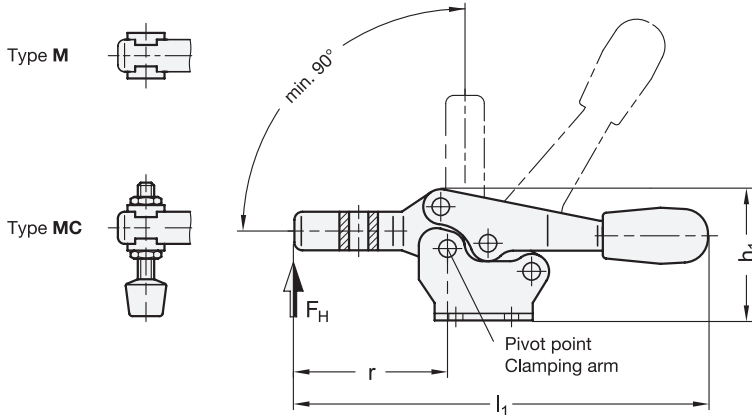


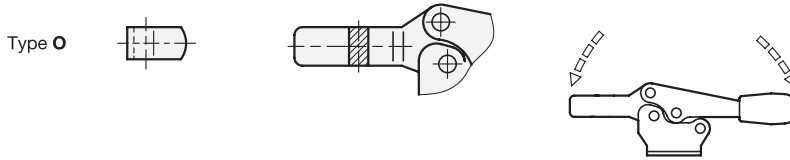
**Rost frei**®  
Inox  
Stainless  
Steel

**2 Type**

- M** Forked clamping arm, with two flanged washers
- MC** Forked clamping arm, with two flanged washers and clamping screw GN 708.1
- O** Solid clamping arm, with clasp for welding



**Operating principle**

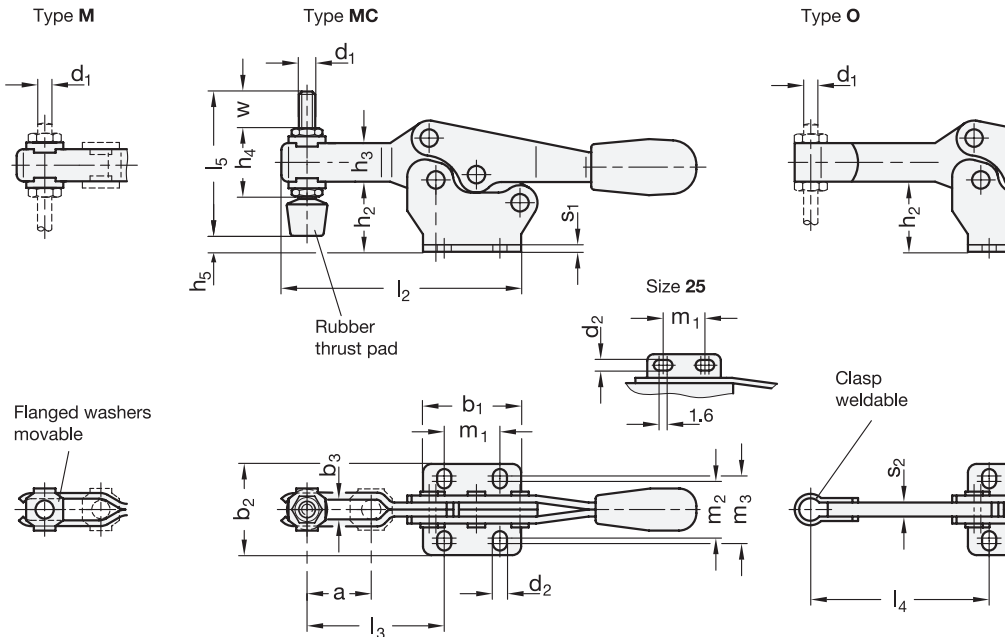


**1**

Size	Steel	Stainless steel	F <sub>H</sub> in N Holding capacity	a ≈	b <sub>1</sub>	b <sub>2</sub>	b <sub>3</sub>	d <sub>1</sub>	d <sub>2</sub>	h <sub>1</sub> ≈	h <sub>2</sub>	h <sub>3</sub>	h <sub>4</sub>	h <sub>5</sub> max.
25*	25*	25*	400	10	24	24,5	4,3	M 4	4,3	23	12	7	13,5	3
75	75	75	900	20	28	26	5,5	M 5	4,5	37	20	11	19	5
130	130	130	1000	32	36	40	6,5	M 6	5,5	51	30,5	16	25,5	14
230	230	230	1700	37	44	42	8,5	M 8	6,5	61,5	36,5	18	30	12,5
355	-	-	1800	58	60	56	10,4	M 10	8,5	83	50	22	37	23,5
455	-	-	3200	65	70	65	12,4	M 12	8,5	98,5	60	26	43	27,5

Size	Steel	Stainless steel	l <sub>1</sub> ≈	l <sub>2</sub> ≈	l <sub>3</sub> ≈	l <sub>4</sub> max.	l <sub>5</sub>	m <sub>1</sub>	m <sub>2</sub>	m <sub>3</sub>	r	s <sub>1</sub>	s <sub>2</sub>	w Adjustable range
25*	25*	25*	69	43	20	-	23	15	16	16	24,5	1,2	-	4
75	75	75	118	67	40	49,5	45	13,5	16	19	43	2	4	15
130	130	130	168	92	53	64	55	26	22,4	28,4	62	2,5	5	17,5
230	230	230	196	110	63,5	78	68	26	26	31,5	72	3	6	20
355	-	-	270	161	96	115	77	41	38,8	43	108,5	3,5	7	19
455	-	-	309	186	116	135	100	41,5	40	43	126	4	10	33

\* Size 25 only available as type M and MC



**Specification**



- Steel —
  - Case-hardened steel C10
  - Zinc plated, blue passivated
  - Bearing pins tempered
  - Bearing rivets (for size 355 and up) case-hardened
- Stainless steel AISI 304 **NI**
- All moving parts  
Lubricated with special grease
- Solid designed plastic handle  
Red, oil resistant
- Clamping screw GN 708.1, type A
  - Steel, zinc plated, blue passivated / Stainless steel AISI 304
  - Rubber thrust pad 85 Shore A
- *Stainless Steel Characteristics* → Page 2166
- RoHS

**Information**

Toggle clamps GN 820 work according to the toggle principle, lever and clamping bar move in the opposite direction.

They require less space for the clamping action. In the clamped position the operating lever is in its horizontal position.

Toggle clamps in the with forked clamping arm, with two flanged washers (type M) can accommodate an application specific clamping screw. A clamping screw with neoprene rubber tip is also included for type MC.

Toggle clamps in the type O version can either be utilized by welding the clasp which can then accommodate an application specific hold-down fastener component.

see also...

- *General Information for Toggle Clamps* → Page 698
- *Toggle Clamps GN 820.1 (with Vertical Base)* → Page 728
- *Toggle Clamps GN 820.2 (with Side Mounting)* → Page 738

**Accessory**

- Clamping Screws → Page 810 ff.
- Holders for Clamping Screws GN 801 (for Type M) → Page 815
- Clamping Arm Extenders GN 801.1 (for Type M) → Page 816
- Clamping Arm Extenders GN 801.2 (for Type M) → Page 817
- Clamping Arm Extenders GN 809.1 (for Type O) → Page 819

How to order (Steel)	
<b>GN 820-355-M</b>	1 Size
	2 Type

How to order (Stainless steel)	
<b>GN 820-75-M-NI</b>	1 Size
	2 Type
	3 Material

