

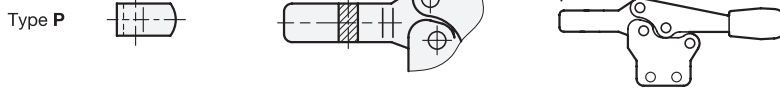
Operating principle



ROSTFREI  
Inox  
Stainless  
Steel

**2 Type**

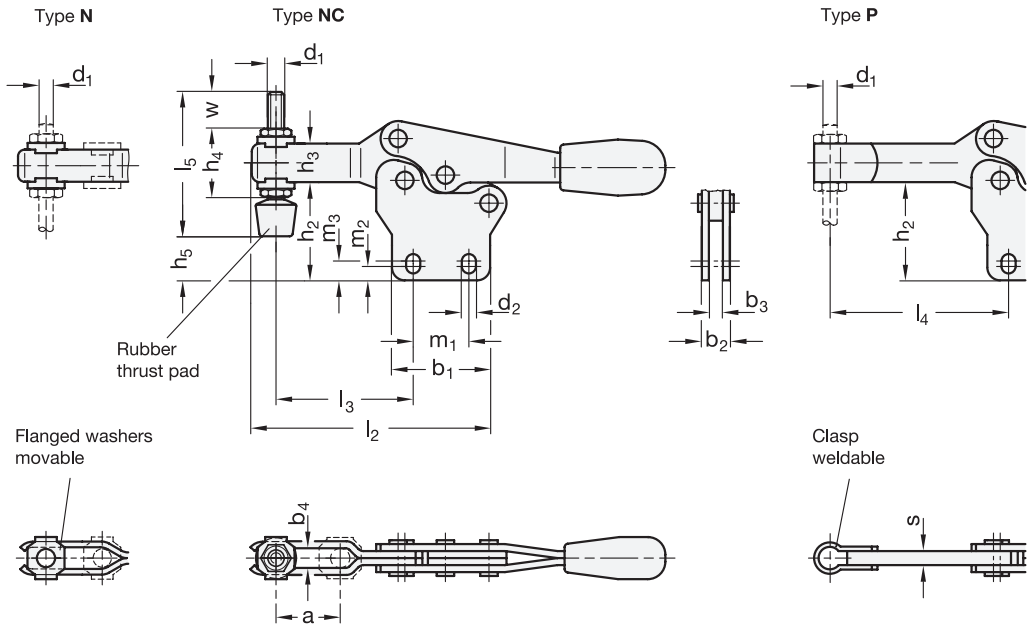
- N** Forked clamping arm, with two flanged washers
- NC** Forked clamping arm, with two flanged washers and clamping screw GN 708.1
- P** Solid clamping arm, with clasp for welding



**1**

Size	Steel	Stainless steel	F <sub>H</sub> in N Holding capacity	a ≈	b <sub>1</sub>	b <sub>2</sub>	b <sub>3</sub>	b <sub>4</sub>	d <sub>1</sub>	d <sub>2</sub>	h <sub>1</sub> ≈	h <sub>2</sub>	h <sub>3</sub>	h <sub>4</sub>	h <sub>5</sub> max.
75	75	75	900	20	28	8	4	5,5	M 5	4,5	45,5	27,5	11	19	12,5
130	130	130	1000	32	36	10	5	6,5	M 6	5,5	64	44	16	25,5	27,5
230	230	230	1700	37	44	12	6	8,5	M 8	6,5	75	50	18	30	26
355	-	-	1800	58	60	14	7	10,4	M 10	8,5	102	69	22	37	42,5
455	-	-	3200	65	70	18	10	12,4	M 12	8,5	119	80,5	26	43	48

Size	Steel	Stainless steel	l <sub>1</sub> ≈	l <sub>2</sub> ≈	l <sub>3</sub> ≈	l <sub>4</sub> max.	l <sub>5</sub>	m <sub>1</sub>	m <sub>2</sub>	m <sub>3</sub>	r ≈	s	w Adjustable range
75	75	75	118	68	40	49,5	45	13,5	3,5	5	43	4	15
130	130	130	170	92	53	64	55	26	5,8	8,8	62	5	17,5
230	230	230	196	109	63,5	78	68	26	6,5	9	73	6	20
355	-	-	270	161	96	115	77	41	7,5	9,6	110	7	19
455	-	-	309	186	116	135	100	41,5	11	12,5	128	10	33



**Specification**

- Steel 3
  - Case-hardened steel C10
  - Zinc plated, blue passivated
  - Bearing pins tempered
  - Bearing rivets (for size 355 and up) case-hardened
- Stainless steel AISI 304 NI
- All moving parts
  - Lubricated with special grease
- Solid designed plastic handle
  - Red, oil resistant
- Clamping screw GN 708.1, type A
  - Steel, zinc plated, blue passivated / Stainless steel AISI 304
  - Rubber thrust pad 85 Shore A
- [Stainless Steel Characteristics](#) → Page 2166
- [RoHS](#)

**Information**

Horizontal acting toggle clamps GN 820.1 work according to the toggle principle, lever and clamping bar move in the opposite direction. They require less space for the clamping action. In the clamped position the operating lever is in its horizontal position.

Toggle clamps with forked clamping arm, with two flanged washers (type N) can accommodate an application specific clamping screw. A clamping screw with neoprene rubber tip is also included for type NC.

Toggle clamps in type P version can either be utilized by welding the clasp which can then accommodate an application specific hold-down fastener component.

**see also...**

- [General Information for Toggle Clamps](#) → Page 698
- [Toggle Clamps GN 820 \(with Horizontal base\)](#) → Page 726
- [Toggle Clamps GN 820.2 \(with Side Mounting\)](#) → Page 738

**Accessory**

- [Clamping Screws](#) → Page 810 ff.
- [Holders for Clamping Screws GN 801](#) (for Type N) → Page 815
- [Clamping Arm Extenders GN 801.1](#) (for Type N) → Page 816
- [Clamping Arm Extenders GN 801.2](#) (for Type N) → Page 817
- [Clamping Arm Extenders GN 809.1](#) (for Type P) → Page 819

<b>How to order (Steel)</b>		1	Size
<b>GN 820.1-355-N</b>		2	Type
<b>How to order (Stainless steel)</b>		1	Size
<b>GN 820.1-130-P-NI</b>		2	Type
		3	Material

1.1  
1.2  
1.3  
1.4  
2.1  
2.2  
2.3  
2.4

