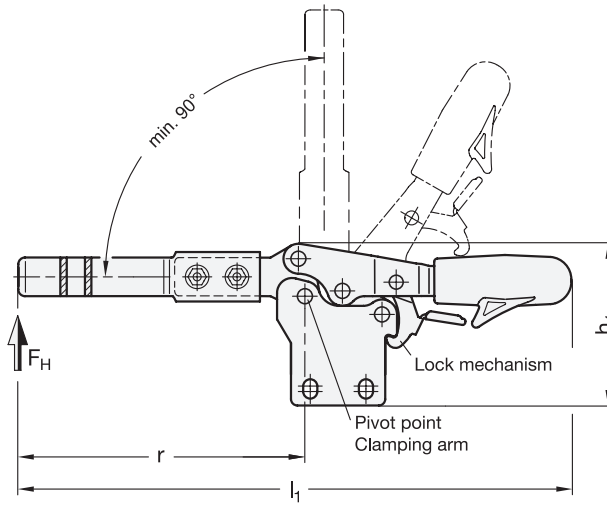
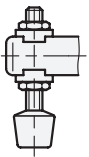


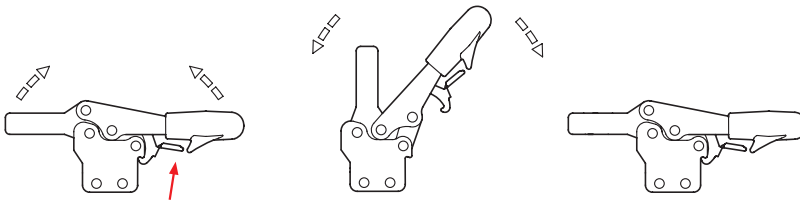
Type VL



Type VLC



Operating principle



2 Type

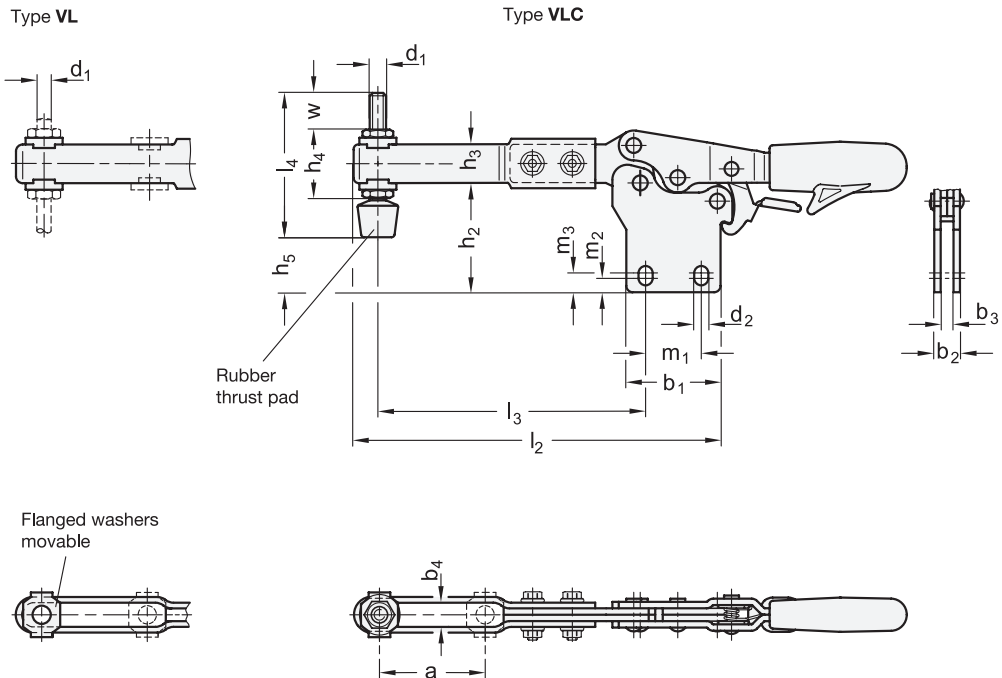
VL Clamping arm extended, with slotted hole and with two flanged washers

VLC Clamping arm extended, with slotted hole, two flanged washers and clamping screw GN 708.1

1

Size	F _H in N Holding capacity	a ≈	b ₁	b ₂	b ₃	b ₄	d ₁	d ₂	h ₁ ≈	h ₂	h ₃
130	600	67,5	36	10	5	6,3	M 6	5,6	64,5	44	16
230	1100	71,5	44	12	6	8,2	M 8	6,6	75,5	51	18

Size	h ₄	h ₅ max.	l ₁ ≈	l ₂ ≈	l ₃ ≈	l ₄	m ₁	m ₂	m ₃	r ≈	w Adjustable range
130	25,5	27,5	250	171	133	55	26	5,8	8,8	141	17,5
230	30	27	283	196	152,5	68	26	6,5	9	158,5	20



Specification

- Steel
 - Case-hardened steel C10
 - Zinc plated, blue passivated
 - Bearing pins tempered
 - Bearing rivets case-hardened
- All moving parts
Lubricated with special grease
- Solid designed plastic handle
Red, oil resistant
- Clamping screw GN 708.1, type A
 - Steel, zinc plated, blue passivated
 - Rubber thrust pad 85 Shore A
- RoHS

Accessory

- Clamping Screws → Page 810 ff.
- Holders for Clamping Screws GN 801
(for Type VL) → Page 815
- Clamping Arm Extenders GN 801.1
(for Type VL) → Page 816
- Clamping Arm Extenders GN 801.2
(for Type VL) → Page 817

Information

Toggle clamps GN 820.4 have a safety function whereby, during closing, a spring loaded safety hook latch ensures a secure locking connection. It prevents the inadvertent unlocking of the clamp due to vibrations or an accidental attempt of loosening / opening of the clamp. To open and release the clamp, pull up on the finger grip to disengage the safety hook latch mechanism (one hand operation).

They work according to the toggle principle: lever and clamping bar move in the opposite direction. They require less space for the clamping action.

Toggle clamps with forked clamping arm, with two flanged washers (type VL) can accommodate an application specific clamping screw. A spindle assembly with neoprene rubber tip is also included for type VLC.

see also...

- *General Information for Toggle Clamps* → Page 698
- *Toggle Clamps GN 820.3*
(with Horizontal Mounting Base, with Extended Clamping Arm) → Page 732

How to order

GN 820.4-230-VLC

- | | |
|---|------|
| 1 | Size |
| 2 | Type |

