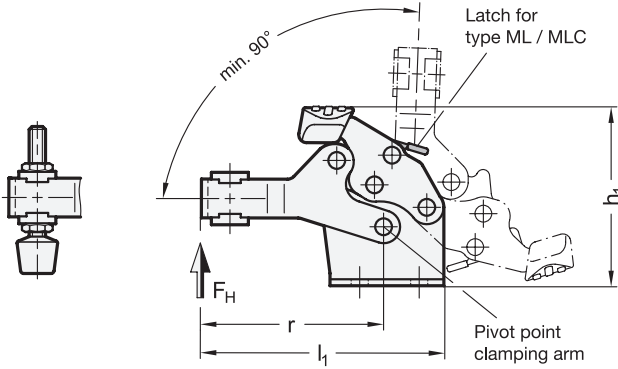




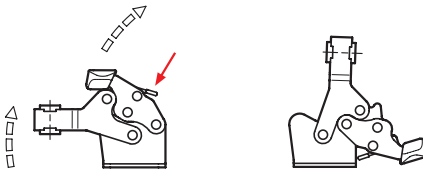
2 Type

- M** Without lock mechanism, with two flanged washers
- MC** Without lock mechanism, with two flanged washers and clamping screw GN 708.1
- ML** With lock mechanism, with two flanged washers
- MLC** With lock mechanism, with two flanged washers and clamping screw GN 708.1

Type MC / MLC



Operating principle



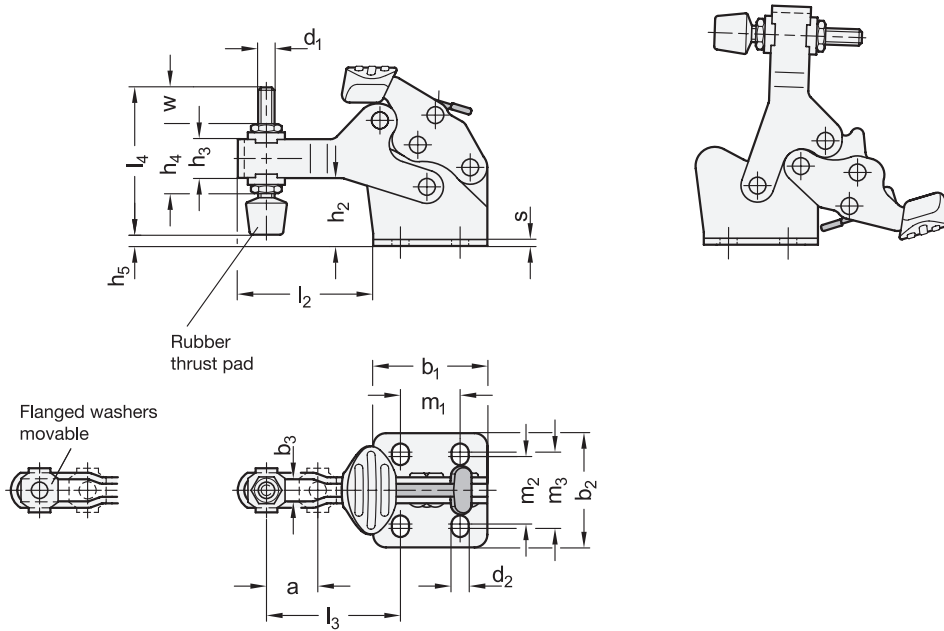
1

| Size | F _H in N Holding capacity | a ≈ | b ₁ | b ₂ | b ₃ | d ₁ | d ₂ | h ₁ ≈ | h ₂ | h ₃ | h ₄ ≈ |
|------|---|-----|----------------|----------------|----------------|----------------|----------------|------------------|----------------|----------------|------------------|
| 80 | 900 | 10 | 26 | 26 | 5,5 | M 5 | 4,5 | 46 | 18 | 9 | 16,5 |
| 140 | 1300 | 17 | 44 | 44 | 8,5 | M 8 | 6,6 | 69 | 26 | 15 | 26 |
| 250 | 2400 | 24 | 64 | 64 | 10,5 | M 10 | 8,7 | 96 | 34 | 20 | 35 |

| Size | h ₅ ≈ | l ₁ ≈ | l ₂ | l ₃ ≈ | l ₄ | m ₁ | m ₂ | m ₃ | r | s | w ≈ Adjustable range |
|------|------------------|------------------|----------------|------------------|----------------|----------------|----------------|----------------|------|-----|-------------------------|
| 80 | 3,2 | 57 | 31 | 32,5 | 45 | 13,5 | 15,5 | 16,5 | 38 | 2 | 17,6 |
| 140 | 2,6 | 96 | 49 | 52,6 | 68 | 23 | 26 | 29,5 | 62,5 | 2,5 | 24 |
| 250 | 6 | 131 | 67 | 72,6 | 77 | 35 | 37,5 | 38,5 | 89 | 3 | 21,2 |

1.1
1.2
1.3
1.4
2.1
2.2
2.3
2.4





Specification



Tensioning mechanism

- Steel **ST**

- Sheet metal parts
Case-hardened steel C10,
zinc plated, blue passivated
- Bearing pins tempered
- Bearing rivets case-hardened
- Moving parts lubricated with special grease

- Stainless steel **NI**

- Sheet metal parts AISI 304
- Bearing pins, bearing rivets AISI 304
- Moving parts lubricated with special grease

Handle

- Plastic
- Red, oil resistant

Flanged washers GN 898

- Steel, zinc plated, blue passivated for ST
- Stainless steel AISI 304 for NI

Clamping screws GN 708.1 for type MC / MLC

- Steel, zinc plated, blue passivated for ST
- Stainless steel AISI 304 for NI
- Rubber tip
- 85 Shore A
- Type A (flat pressure area)

RoHS

Toggle clamps GN 820.6 feature a very compact design.

Types ML / MLC are securely locked while in the clamped position to prevent loosening by accident or due to vibrations. The lock can be released by one hand operation.

see also...

GN 820 Toggle Clamps Page QVX

Technical Information

General Information for Toggle Clamps QVX

Stainless Steel Characteristics QVX

Accessory

GN 801.1 Clamping Arm Extenders (Rigid) QVX

GN 801.2 Clamping Arm Extenders (with Joint) QVX

How to order

GN 820.6-140-MLC-NI

| | |
|---|----------|
| 1 | Size |
| 2 | Type |
| 3 | Material |