

**ROSTFREI** **SPREY BLOCK**  
Inox  
Stainless  
Steel

- 2 Type**
- AS** Without mounting bracket
  - ASW** With mounting bracket

**1**

Size	F <sub>H</sub> in N Holding capacity	a	b <sub>1</sub>	b <sub>2</sub>	d <sub>1</sub>	d <sub>2</sub>	d <sub>3</sub>	d <sub>4</sub>	h <sub>1</sub> ≈	h <sub>2</sub>	h <sub>3</sub>
80	3000	24	35	29	10	M 6	M 16 x 1,5	5,5	70,5	38,5	19
165	5400	32	60	35	12	M 8	M 20 x 1,5	6,5	110	50	22
340	7000	48	75	47,6	16	M 10	M 24 x 2	8,5	146	70	30

Size	l <sub>1</sub> ≈	l <sub>2</sub> ≈	l <sub>3</sub> ≈	l <sub>4</sub> ≈	l <sub>5</sub>	m <sub>1</sub>	m <sub>2</sub>	m <sub>3</sub>	s	t	w Stroke
80	71	65	34	22	22	20	12	-	4	12	21
165	112	104	54	39	41	41	13,5	19	5	15	38
340	173	162	85	68	59	55	19	25	5	18	66

**Specification**

- Steel —  
Sheet metal parts  
Case-hardened steel C10  
Zinc plated, blue passivated
- Stainless steel **NI**  
- Sheet metal parts  
AISI 304  
- Other parts  
AISI 303
- All moving parts  
Lubricated with special grease
- Solid designed plastic handle  
Red, oil resistant
- *Stainless Steel Characteristics* → Page 2166
- RoHS

**Accessory**

- Clamping Screws → Page 810 ff.

**3**

**Information**

Push-pull type toggle clamps GN 843.1 can be mounted on a mounting bracket (Type ASW) or „directly“ on the jig.

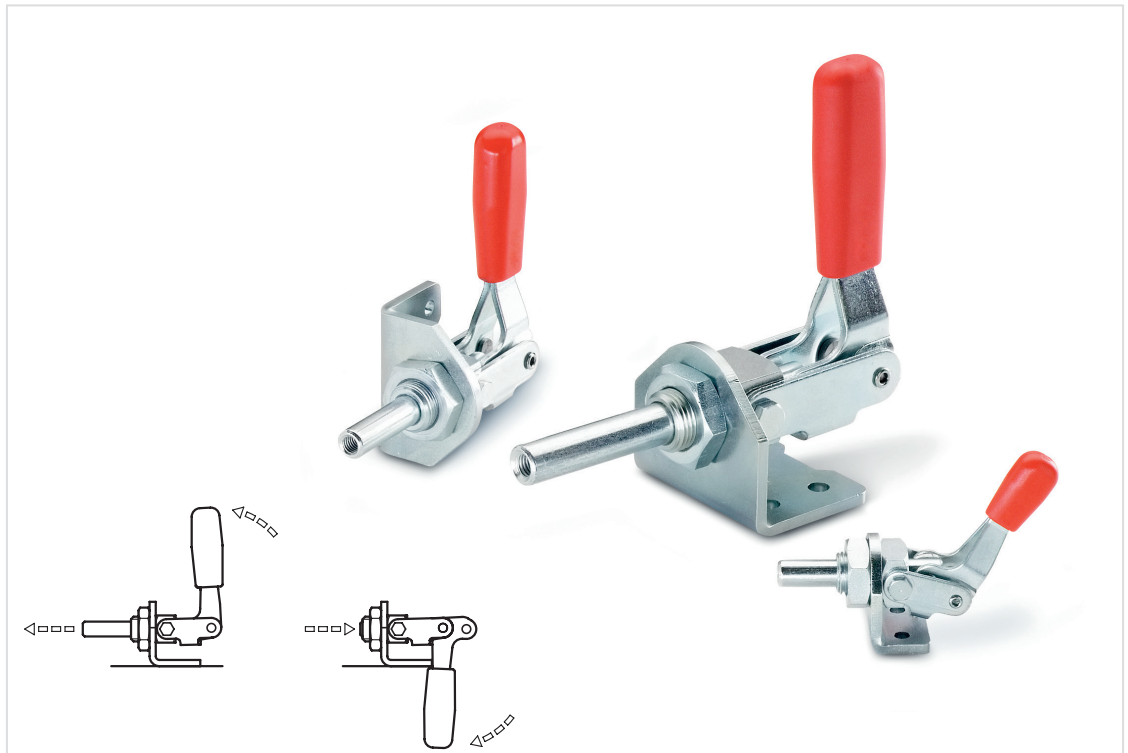
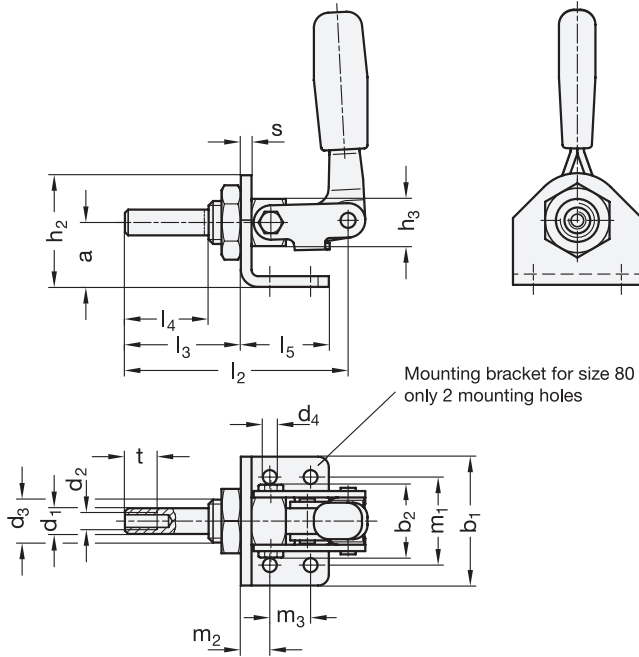
The center bushing securing method allows the operating handle to be turned to the most favorable position.

see also...

- *General Information for Toggle Clamps* → Page 698

How to order (Steel) <b>GN 843.1-80-ASW</b>	1	Size
	2	Type

How to order (Stainless steel) <b>GN 843.1-165-ASW-NI</b>	1	Size
	2	Type
	3	Material



1.1  
1.2  
1.3  
1.4  
2.1  
2.2  
2.3  
2.4