

- 2 Type**
- ASD** Clamping by turning handle counter-clockwise
 - ASS** Clamping by turning handle clockwise

1

Size	F _H in N Holding capacity	a	b	d ₁	d ₂	d ₃	h ₁ ≈	h ₂	l ₁ ≈
70	900	12	19,5	8,5	M 6	4,3	49	36	86
160	1300	15	25	11	M 6	5,5	79	46	117
550	4500	20	32	14	M 8	7	113	55	165

Size	l ₂ ≈	l ₃ ≈	m ₁	m ₂	m ₃	m ₄	s	t	w Stroke
70	77	22	26	26	13	-	6	12	20
160	107	32	36,5	33,5	11,5	-	7	12	30
550	153	42	35	41	15	41	7	16	42

Specification

- Body
Steel
- Forged
- Manganese phosphated
- Parts in sheet metal
Case-hardened Steel C10
Zinc plated, blue passivated
- Plunger steel St 37
Zinc plated, blue passivated
- All moving parts
Lubricated with special grease
- Solid designed plastic handle
Red, oil resistant
- RoHS

Accessory

- Clamping Screws → Page 810 ff.

Information

Push-pull type toggle clamps GN 844 are known for their low height in all clamping positions. They can be used for very high holding forces thanks to their massive and sturdy body.

see also...

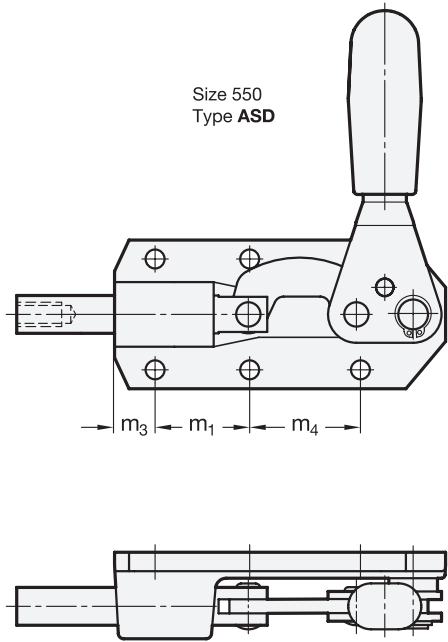
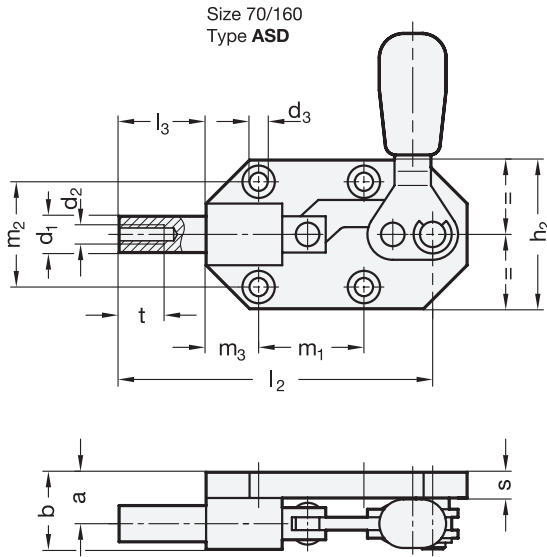
- General Information for Toggle Clamps → Page 698

How to order

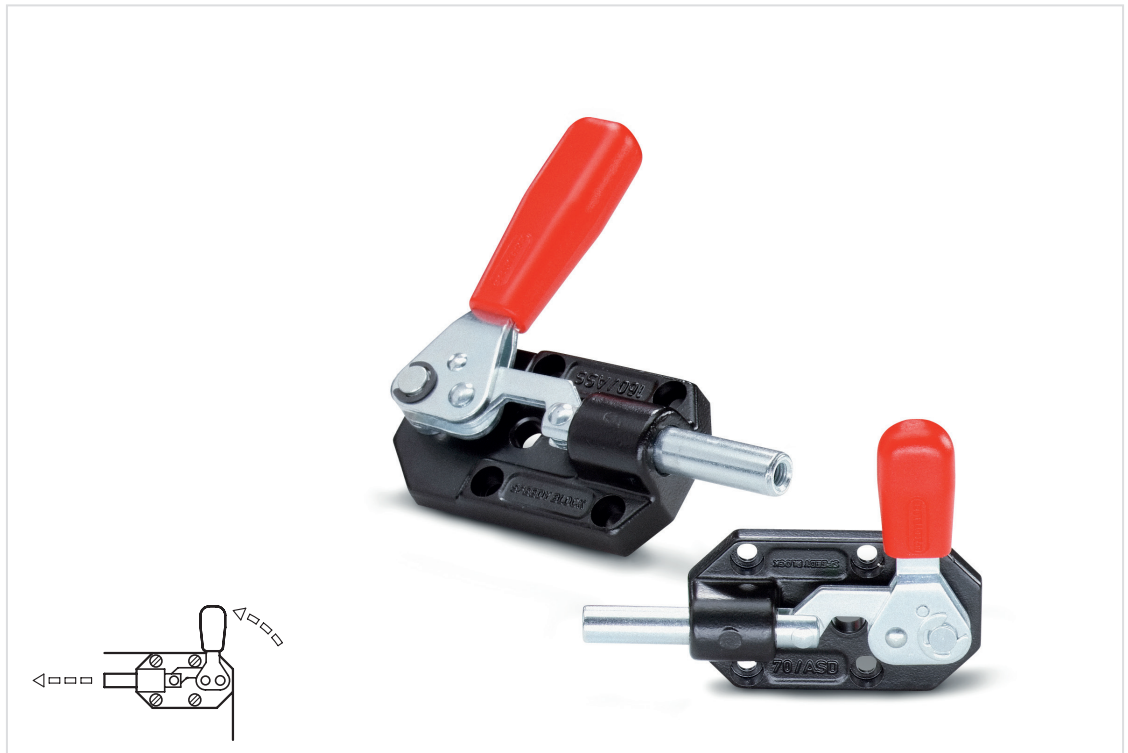
GN 844-70-ASS

1 Size

2 Type



Type ASS is mirror image of type ASD



1.1
1.2
1.3
1.4
2.1
2.2
2.3
2.4