

2 Type

- T3** With square U-bolt, with catch
- T** Without square U-bolt, with catch

1

| Size | F_H in N Holding capacity | a_1 | a_2 | b_1 | b_2 | b_3 | b_4 | b_5 | d_1 | d_2 | h_1 | h_2 |
|------|--------------------------------|-------|-------|-------|-------|-------|-------|-------|-------|-------|-------|-------|
| 160 | 1600 | 5 | 25 | 26 | 35 | 21 | 25,5 | 14 | M 4 | 4,3 | 37 | 10 |
| 320 | 3200 | 8 | 37 | 36 | 44 | 32 | 37 | 22 | M 6 | 6,5 | 54 | 15 |
| 700 | 7000 | 13 | 45 | 52 | 54 | 38 | 48,5 | 26 | M 8 | 8,5 | 67 | 23 |

| Size | $l_1 \approx$ | l_2 min. | m_1 | m_2 | m_3 | m_4 | m_5 | $r \approx$ at $w_2 = 0$ | s | w_1 Stroke | $w_2 \approx$ Adjustable range |
|------|---------------|---------------|-------|-------|-------|-------|-------|-----------------------------|-----|-----------------|-----------------------------------|
| 160 | 68 | 4,5 | 22 | 6,5 | 13 | 6,7 | 14,3 | 52 | 2 | 32 | 10 |
| 320 | 106 | 6 | 25,5 | 8,5 | 19 | 10,5 | 20,5 | 78 | 3 | 53 | 21 |
| 700 | 147 | 8 | 36,5 | 10 | 32 | 13,5 | 27 | 102 | 3,5 | 64 | 25 |

Specification

- Steel
 - Case-hardened steel C10
Zinc plated, blue passivated
 - Square U-bolt
Steel St 37
Zinc plated, blue passivated
- Stainless steel **NI**
 - Parts in sheet metal / Square U-bolt
AISI 304
 - Pin
AISI 303
- All moving parts
Lubricated with special grease
- Handle with plastic cap
Red, oil resistant
- *Stainless Steel Characteristics* → Page 2166
- RoHS

3

Information

The stroke of the square U-bolts of latch type toggle clamps GN 851.1 can be adjusted within its range.

In the clamped position the square U-bolt is perpendicular to the clamping arm and the fixing plane of the latch type toggle clamp.

In addition to the standard lengths of square U-bolts shown in the table, a variety of other lengths are also available under the GN 951.1 series.

see also...

- *General Information for Toggle Clamps* → Page 698
- *Square U-Bolts GN 951.1* → Page 774

How to order (Steel)

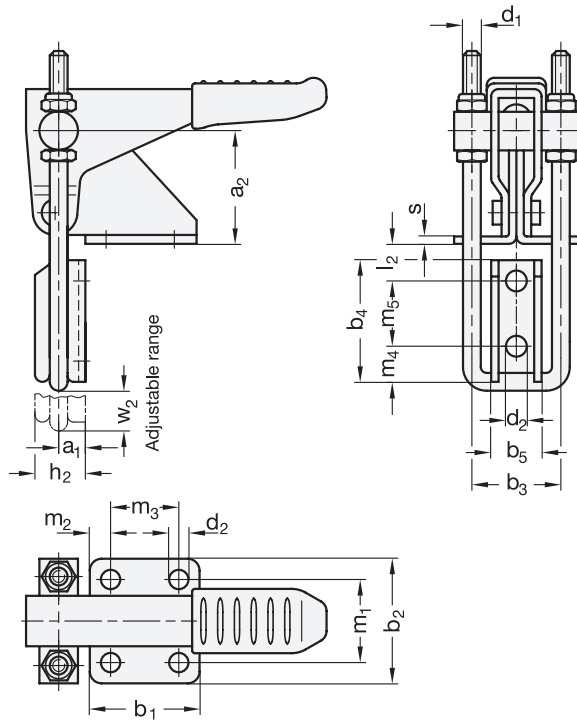
GN 851.1 - 700 - T3

- 1 Size
- 2 Type

How to order (Stainless steel)

GN 851.1-160-T3-NI

- 1 Size
- 2 Type
- 3 Material

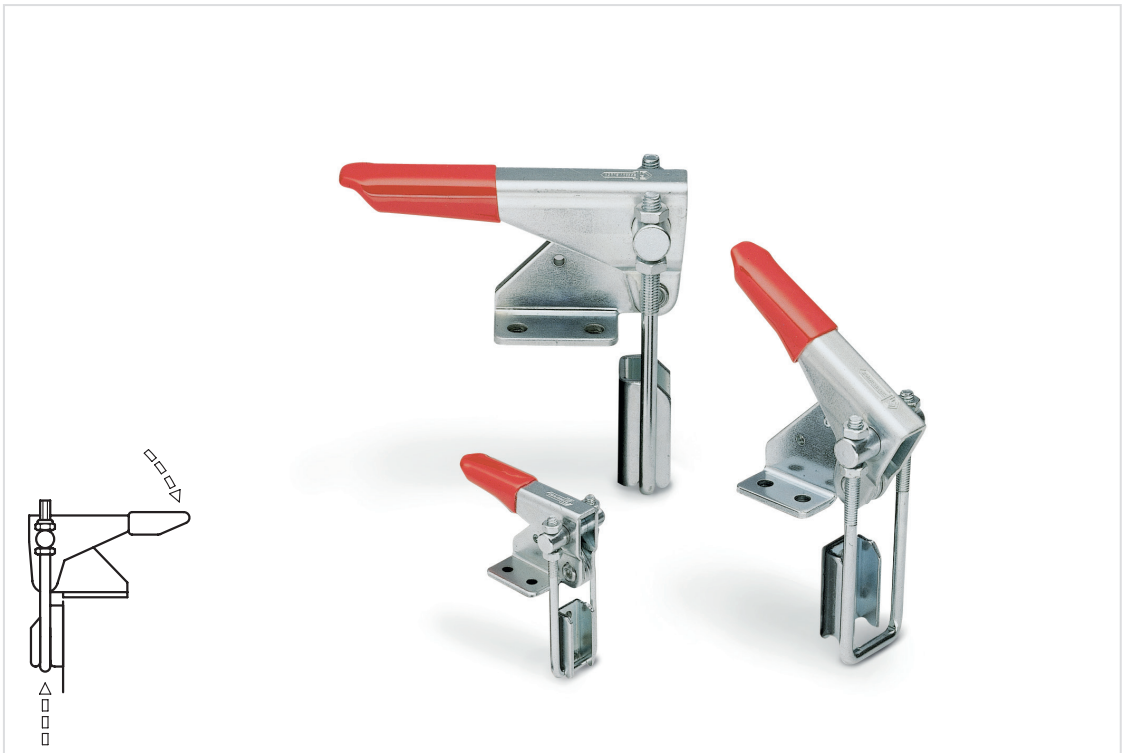


1.1

1.2

1.3

1.4



2.1

2.2

2.3

2.4

