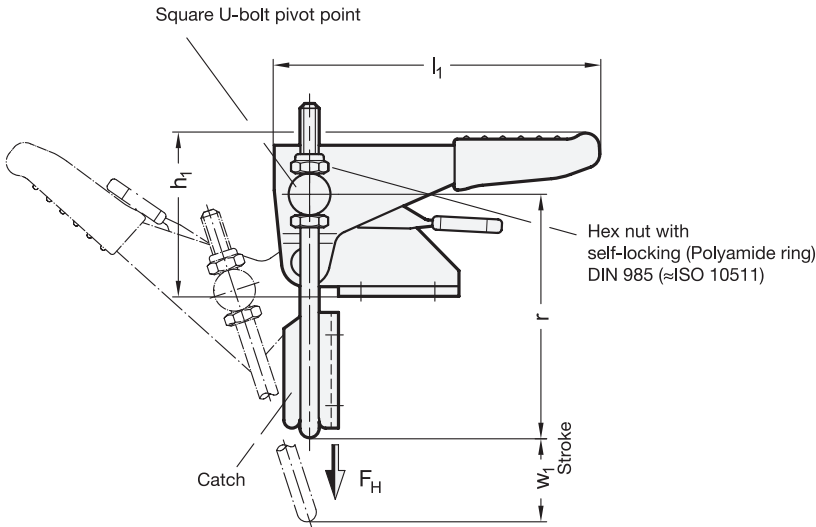


1.1
1.2
1.3
1.4
2.1
2.2
2.3
2.4

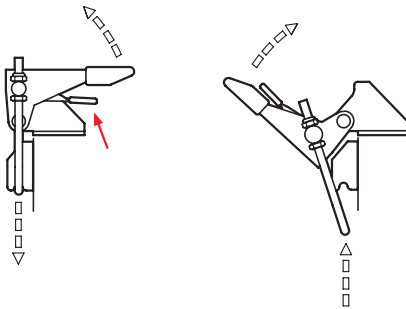


2 Type

T3L With square U-Bolt, with catch

T3 Without square U-Bolt, with catch

Operating principle

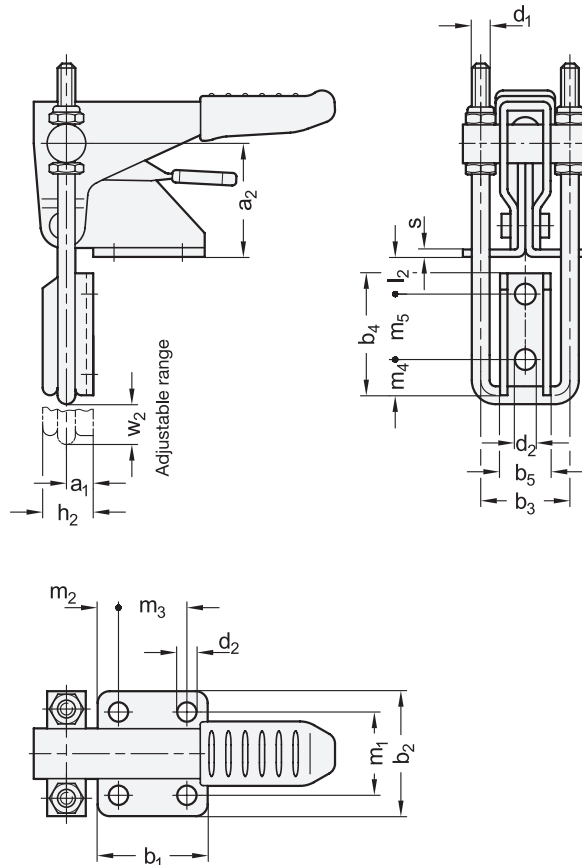


1

Size	F _H in N Holding capacity	a ₁	a ₂	b ₁	b ₂	b ₃	b ₄	b ₅	d ₁	d ₂	h ₁	h ₂
160	1600	5	25	26	35	21	25,5	14	M 4	4,3	37	10
320	3200	8	37	36	44	32	37	22	M 6	6,5	54	15
700	7000	13	45	52	54	38	48,5	26	M 8	8,5	67	23

Size	l ₁ ≈	l ₂ min.	m ₁	m ₂	m ₃	m ₄	m ₅	r ≈ at w ₂ = 0	s	w ₁	w ₂ ≈ Adjustable range
160	68	4,5	22	6,5	13	6,7	14,3	52	2	32	10
320	106	6	25,5	8,5	19	10,5	20,5	78	3	53	21
700	147	8	36,5	10	32	13,5	27	102	3,5	64	25





Specification



Tensioning mechanism

- Steel ST
 - Sheet metal parts
 - Case-hardened steel C10, zinc plated, blue passivated
 - Square U-bolt
 - Steel St 37, zinc plated, blue passivated
 - Bearing pins tempered
 - Bearing rivets case-hardened
 - Moving parts lubricated with special grease
- Stainless steel NI
 - Sheet metal parts, square U-bolt AISI 304
 - Bearing pins, bearing rivets AISI 303
 - Moving parts lubricated with special grease

Handle

- Plastic
- Red, oil resistant

RoHS

Latch type toggle clamps GN 851.4 are securely locked while in the clamped position to prevent loosening by accident or due to vibrations. The lock can be released by one hand operation. The stroke of the square U-bolt can be adjusted within its range.

In the clamped position, the square U-bolt is perpendicular to the clamping arm and to the fixing plane of the latch type toggle clamp.

In addition to the standard lengths for the square U-bolt shown in the table, a variety of other lengths are offered under the GN 951.1 series.

see also...

	Page
GN 851.1 Latch Type Toggle Clamps (without Lock Mechanism)	QVX

Technical Information

General Information for Toggle Clamps	QVX
Stainless Steel Characteristics	QVX

Accessory

GN 951.1 Square U-Bolts	QVX
--------------------------------	-----

How to order

GN 851.4-320-T3L-NI

1	Size
2	Type
3	Material