

**4 Identification no.**

- 1 Without adjustable hand lever
- 2 With adjustable hand lever

**1 2**

b	Length $l_1$ - Stroke $l_2$				$d_1$	$d_2$	$d_3$	$d_4$	$d_5$	$h_1$	$h_2$	$h_3$	$h_4$
	$l_1 - l_2$	$l_1 - l_2$	$l_1 - l_2$	$l_1 - l_2$									
30	50-5	55-10	60-15	65-20	M 4 x 0,5	M 3	14	-	-	9,3	16	17	4
50	95-25	120-50	145-75	170-100	M 6 x 1	M 4	17	50	22	13	22,5	23	7
80	145-25	170-50	195-75	220-100	M 8 x 1	M 5	22	80	22	20,5	35,5	36	10
120	185-25	210-50	235-75	260-100	M 10 x 1	M 5	34	100	34	26,3	45	46	13,8

b	$h_5$	$h_6$	$h_7$	$h_8$	$l_3$	$l_4$	$l_5$	$l_6$	$l_7$	$l_8$	$l_9$	$l_{10}$	$l_{11}$	$l_{12}$	$l_{13}$	s	t
30	3	33	-	-	45	4	6	20	-	-	-	-	-	28	22	16	1
50	4,5	47	29	18	70	6	12	20	22	52	24	33	57	36	30	30	1,5
80	10	51	37	10	120	8	16	24	31	55	27	33	66	25	30	50	2
120	10	57	45	5	160	10	18	34	46	69	41	33	81	25	30	80	2

**Specification**

- Slides / End plates  
Aluminum press formed  
Anodized, natural color
- Guide shafts  
Stainless steel
- Drive
  - Lead spindle / Ball bearing  
Stainless steel
  - Lead nut  
Plastic
- Fixing screws  
Stainless steel
- Control knob / Scale ring  
Aluminum  
Black anodized
- Disk Handwheels GN 520.1 → Page 257
- Position Indicator GN 954 → Page 398
- RoHS

**Information**

Adjustable slide units GN 900 can be combined with a range of adaptors to give various axis configurations.

These fastening units and connecting sets (GN 900.1, GN 900.2, GN 900.3) can be clamped to the adjustable slide units in a rapid and simple way.

For fine adjustment there is a scale ring graduated in increments of 0,05 mm, with digital position indicator 0,02 mm.

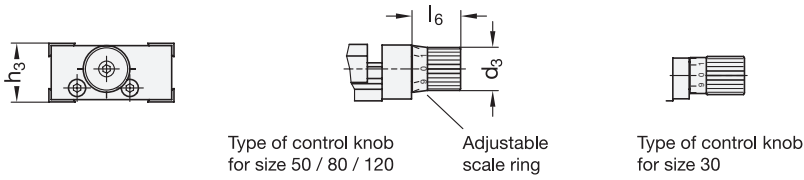
see also...

- Additional Constructional Features → Page 1936

How to order	
<b>1</b>	b
<b>2</b>	$l_1 - l_2$
<b>3</b>	Type
<b>4</b>	Identification no.

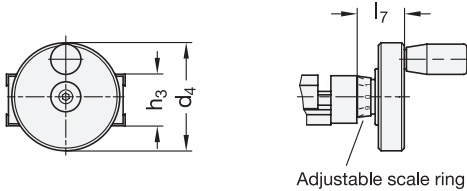
**GN 900-80-170-50-D-1**

3 Type D with control knob



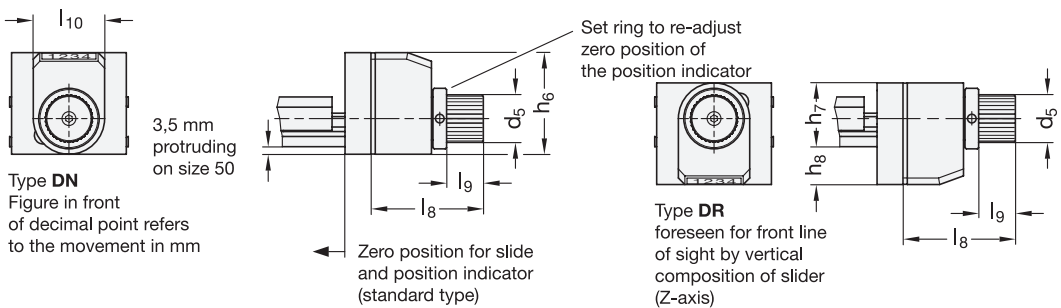
3.1  
3.2

3 Type H with disk handwheel (from size 50 upwards)



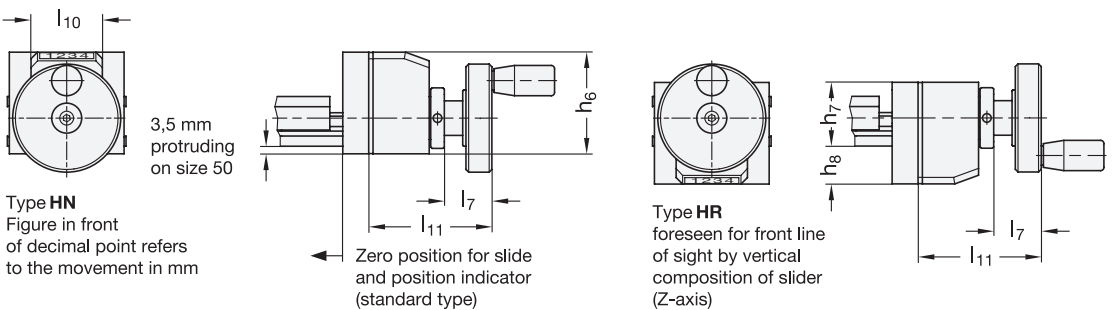
3.3

3 Type DN / Type DR with control knob and digital position indicator GN 954 (from size 50 upwards)



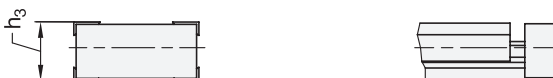
3.4  
3.5  
3.6

3 Type HN / Type HR with disk handwheel and digital position indicator GN 954 (from size 50 upwards)



3.7  
3.8

3 Type S without adjustable spindle and operating element (i. e. for mounting a pneumatic cylinder)



3.9