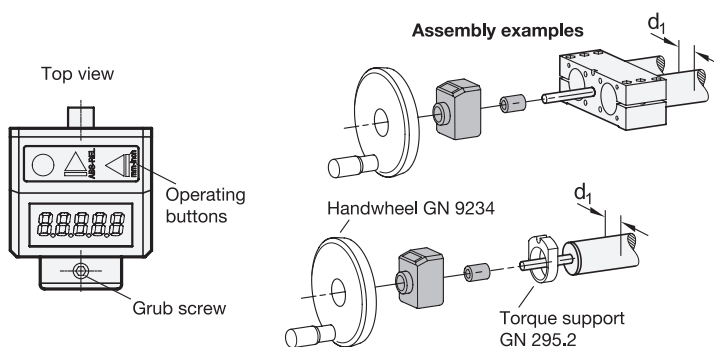


**elesa**  
Original design DD51-E / DD52R-E



**2 Identification no.**

- 1 Protection class IP 65
- 2 Protection class IP 67



**1**

$d_1$ Ø Linear actuator	b	$d_2$ H7	$d_3$	$l_1$	$l_2$	$l_3$	$m_1$	$m_2$	$m_3$	Grub screw	LCD display Number of positions	Max. rpm
30	33,5	8	19,5	34	28,5	5,5	30,5	25	22	M 4	5	1000
40	48	12	28,5	41	34	6	40	32,5	30	M 5	6	1000
50	48	12	28,5	41	34	6	40	32,5	30	M 5	6	1000
60	48	14	28,5	41	34	6	40	32,5	30	M 5	6	1000

**Specification**

- Housing  
Plastic (polyamide PA)  
- Orange, RAL 2004 ● **OR**  
- Gray, RAL 7035 ● **GR**  
- Temperature resistant up to 50 °C  
- Oil and solvent resistant
- LCD display
- Hollow shaft, adapter bushing  
Stainless steel AISI 304
- O-ring seal  
Rubber NBR (Perbunan®)  
(only for identification no. 2)
- ISO Fundamental Tolerances → Page QVX
- IP Protection Classes → Page QVX
- Plastic Characteristics → Page QVX
- Stainless Steel Characteristics → Page QVX
- RoHS

**3**

**Information**

Electronic position indicators GN 9034 are designed for attachment to configurable linear units. They are mounted to the spindle stem of the linear actuator using an adapter bushing and a grub screw. The position indicators must be adjusted for the thread pitch and direction of the linear actuators. Power is supplied by a long-life battery.

The housing is welded by ultrasound, making it particularly sturdy, tight and compact. The foam rubber seal prevents the transmission of vibrations and acts as a seal.

see also...

- More Information for Position Indicators → Page QVX

**How to order**

**GN 9034-50-2-GR**

1	$d_1$
2	Identification no.
3	Color

