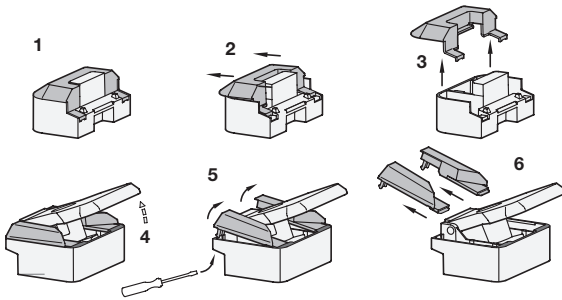


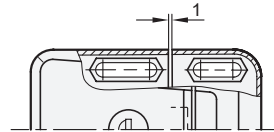
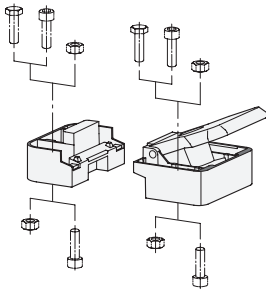
### Assembly instruction



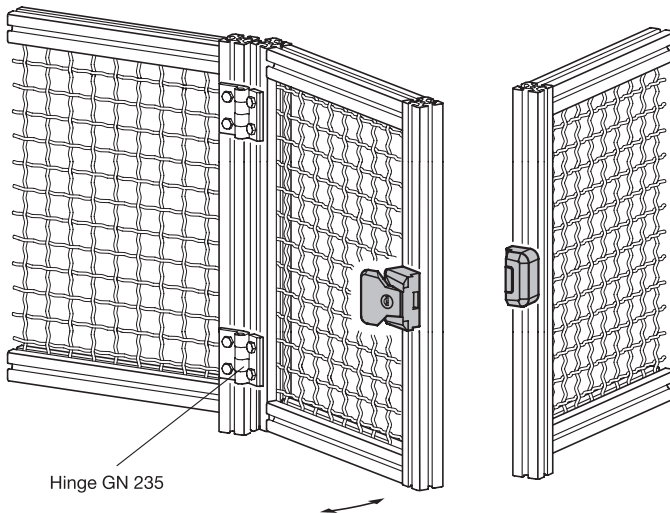
Prior to installation remove the slam latch cover as shown in the sketch. Socket cap screws DIN 912, hex head screws DIN 933 and hex nuts ISO 4032 each with thread size M 6 can be used for mounting the slam latch.

After installation the covers are reassembled in reverse order. The covers cannot be removed when the slam latch is closed and consequently protect against vandalism.

The slots allow the slam latch to be fitted to the door frame or profile systems both from the operating side and from the rear. The installation clearance of 1 mm is also easy to adjust.



### Example of application



Hinge GN 235

3.1  
3.2  
3.3  
3.4  
3.5  
3.6  
3.7  
3.8  
3.9

