

3.1

3.2

3.3

3.4

² l ₁	³ l ₂	⁴ s	Nominal size	Clamping range	d ₁ -0,2	d ₂ Clamping screw	d ₃ For screw	h ₁	h ₂	h ₃	A/F
92	60	4		4...8	13	M 6	M 6	9,5	9,5	17	T30
122	90	8		8...12	16	M 8	M 8	13,5	13,5	25	T45

3.5

Specification

- Zinc die casting **ZD**
- Powder coated
 - Black, RAL 9005, textured finish ● **SW**
 - Silver, RAL 9006, textured finish ● **SR**
- Hinge pin
 - Stainless steel AISI 303
- Shim washers
 - Stainless steel AISI 316L
- Clamping screws
 - Stainless steel AISI 304
- Spacer sleeves
 - Plastic (Polyamide PA)
- Rubber inserts
 - Elastomer (TPE)
- [Load Rating Information](#) → Page QVX
- [Plastic Characteristics](#) → Page QVX
- [Stainless Steel Characteristics](#) → Page QVX
- **RoHS**

Accessory

- T-Nuts GN 938.1 → Page QVX

On request

- Other colors

Information

Hinges GN 938 are used to fasten door panes, e.g. made of glass or plastic, so that they can rotate. They are designed to match the panel support clamp GN 939.

The panels (door panes) are clamped between the rubber inserts and additionally secured with spacer sleeves, forming a positive connection.

If the hinges are used with profile systems with 6, 8 or 10 mm slots, T-nuts GN 938.1 are available as mounting accessories. These make it easy to align the hinges and protect them from twisting.

The covers are supplied loose. They are slid on sideways after assembly and lock into place automatically.

see also...

- [Product Family Standard Parts for Profile Systems](#) → Page QVX
- [List of Hinge Types](#) → Page QVX
- [Panel Support Clamps GN 939 \(Zinc Die Casting, for Panels\)](#) → Page QVX
- [Hinges GN 237.1 \(Plastic, for Panels\)](#) → Page QVX
- [Panel Support Clamps GN 649 \(Plastic, for Panels\)](#) → Page QVX

3.6

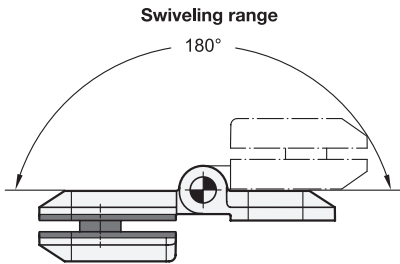
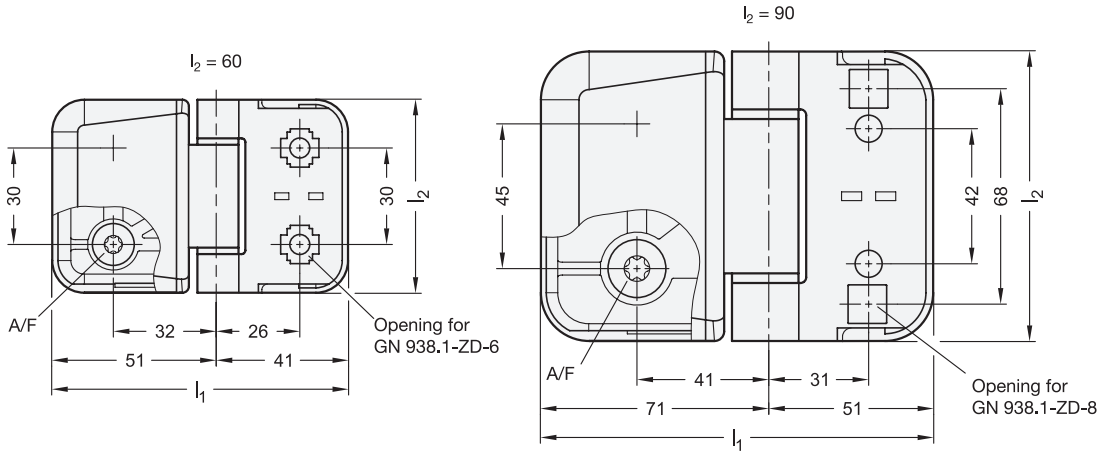
3.7

3.8

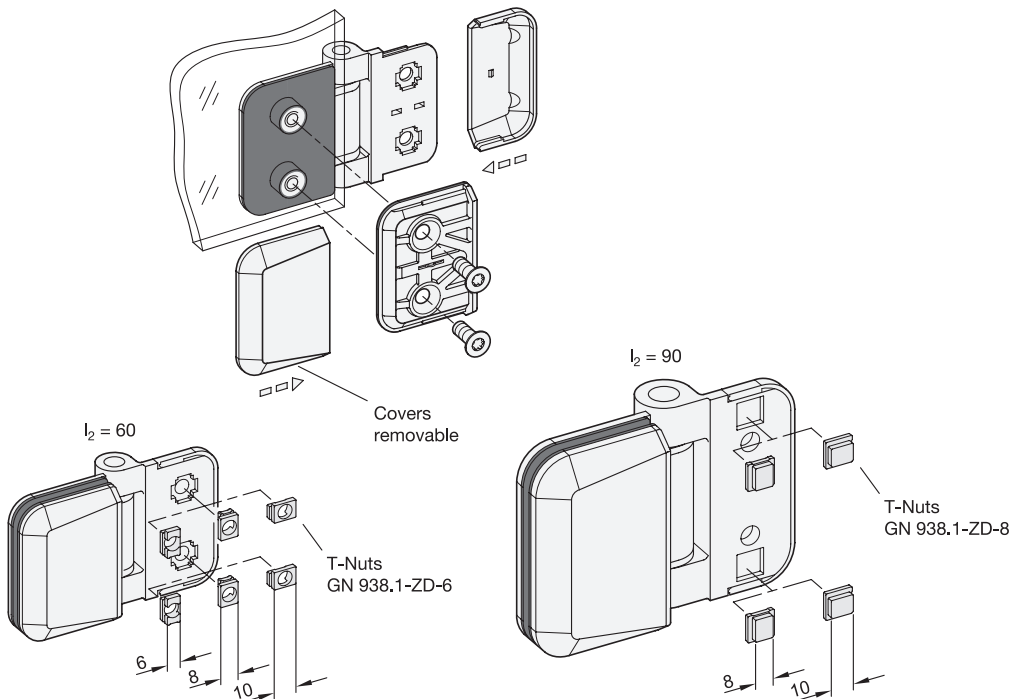
3.9

How to order	
¹	Material
²	l ₁
³	l ₂
⁴	s (Nominal size)
⁵	Finish

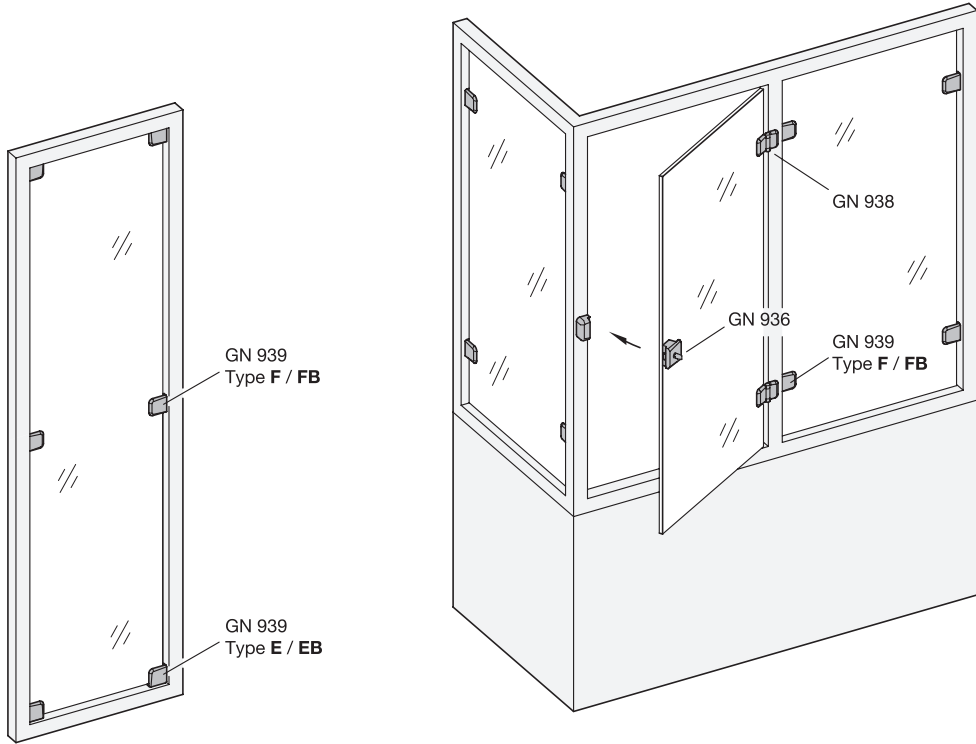
GN 938-ZD-122-90-8-SR



Assembly Instruction



Application Example



Hinges GN 938
T-Nuts GN 938.1 → Page QVX
Panel Support Clamps GN 939 → Page QVX

