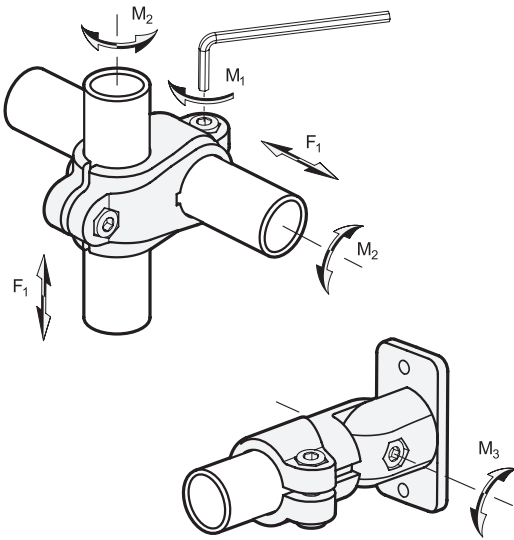


Load Rating of Plastic Clamp Connectors

With and without Adapter Bushings



The load values of the plastic clamp connectors are listed in the tables below.

If the bore diameters of the clamp connector are reduced with adapter bushings GN 290, this has an influence on the displacement force and the twisting moment.

For swivel clamp connector joints, the maximum torque of the joint axis is also indicated.

The values were determined using tubes with a tolerance of ± 0.2 mm.

Note:

The listed load values are non-binding guide values; the manufacturer accepts no liability for their performance. In general, they do not constitute a warranty of condition.

The user must determine whether a product is suitable for the intended use in each individual case. Environmental influences and aging may affect the specified values.

Standard	Bore clamp connector	Code no. Adapter bushing used	Screw point tightening torque	Displacement force	Twisting moment
			M_1 in Nm	F_1 in N	M_2 in Nm
GN 132.9 Page XYZ	B12	GN 290-18-B12-29-*	5	1250	5
	B14	GN 290-18-B14-29-*	5	1650	10
	B15	GN 290-18-B15-29-*	5	1650	14
	B16	GN 290-18-B16-29-*	5	2000	14
	B18	-	5	2150	17
	B20	GN 290-30-B20-45-*	12	1000	5
	B25	GN 290-30-B25-45-*	12	1300	7
	B30	-	12	1350	21
GN 146.9 Page XYZ	B12	GN 290-18-B12-29-*	5	900	5
	B14	GN 290-18-B14-29-*	5	1050	8
	B15	GN 290-18-B15-29-*	5	1100	13
	B16	GN 290-18-B16-29-*	5	1200	14
	B18	-	5	1450	16
	B20	GN 290-30-B20-45-*	12	1150	7
	B25	GN 290-30-B25-45-*	12	1600	7
	B30	-	12	1800	27
GN 163.9 Page XYZ	B12	GN 290-18-B12-29-*	5	900	5
	B14	GN 290-18-B14-29-*	5	1000	7
	B15	GN 290-18-B15-29-*	5	1000	7
	B16	GN 290-18-B16-29-*	5	1050	7
	B18	-	5	1050	8
	B20	GN 290-30-B20-45-*	12	1000	8
	B25	GN 290-30-B25-45-*	12	1350	11
	B30	-	12	1650	33



Standard	Bore clamp connector	Code no. Adapter bushing used	Screw point tightening torque	Displacement force	Twisting moment
			M_1 in Nm	F_1 in N	M_2 in Nm
GN 192.9 Page XYZ	B12	GN 290-18-B12-29-*	5	900	5
	B14	GN 290-18-B14-29-*	5	1200	7
	B15	GN 290-18-B15-29-*	5	1200	11
	B16	GN 290-18-B16-29-*	5	1250	12
	B18	-	5	1450	14
	B20	GN 290-30-B20-45-*	12	1000	6
	B25	GN 290-30-B25-45-*	12	1400	7
	B30	-	12	1650	17
GN 242.9 Page XYZ	B12	GN 290-18-B12-29-*	5	900	5
	B14	GN 290-18-B14-29-*	5	1400	7
	B15	GN 290-18-B15-29-*	5	1400	10
	B16	GN 290-18-B16-29-*	5	1300	11
	B18	-	5	1100	13
	B20	GN 290-30-B20-45-*	12	1000	6
	B25	GN 290-30-B25-45-*	12	1300	7
	B30	-	12	1400	25

Standard	Bore clamp connector	Code no. Adapter bushing used	Screw point tightening torque	Displacement force	Clamping torque	Joint axis twisting moment	
			M_1 in Nm	F_1 in N	M_2 in Nm	M_3 in Nm Type S	Type T
GN 276.9 Page XYZ	B20	GN 290-30-B20-45-*	12	1600	12	-	-
	B25	GN 290-30-B25-45-*	12	2700	15	-	-
	B30	-	12	3300	33	-	-
GN 278.9 Page XYZ	B20	GN 290-30-B20-45-*	12	1600	12	-	-
	B25	GN 290-30-B25-45-*	12	2700	15	-	-
	B30	-	12	3000	33	-	-
GN 282.9 Page XYZ	B20	GN 290-30-B20-45-*	12	1600	12	6	100
	B25	GN 290-30-B25-45-*	12	2700	15	6	100
	B30	-	12	3300	33	6	100
GN 282.10 Page XYZ	B20	GN 290-30-B20-45-*	12	1600	12	4	100
	B25	GN 290-30-B25-45-*	12	2700	15	4	100
	B30	-	12	3000	33	4	100
GN 286.9 Page XYZ	B20	GN 290-30-B20-45-*	12	1600	12	6	140
	B25	GN 290-30-B25-45-*	12	2700	15	6	140
	B30	-	12	3300	33	6	140
GN 288.9 Page XYZ	B20	GN 290-30-B20-45-*	12	1600	12	4	120
	B25	GN 290-30-B25-45-*	12	2700	15	4	120
	B30	-	12	3000	33	4	120