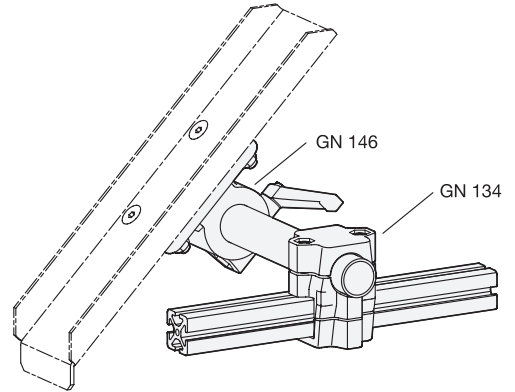
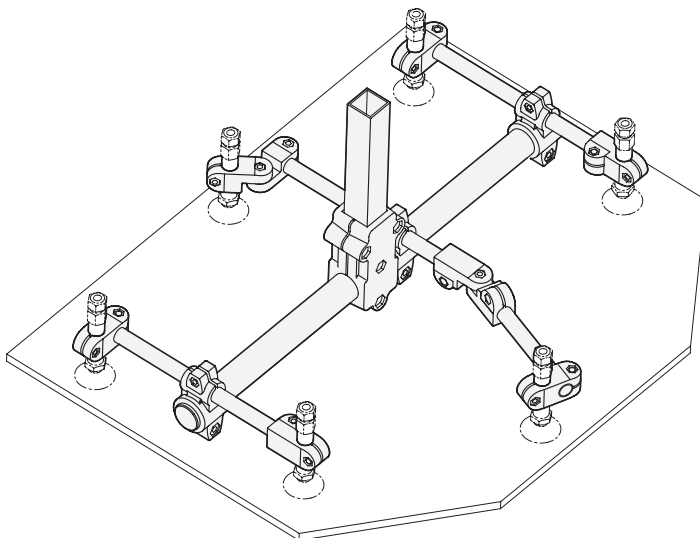


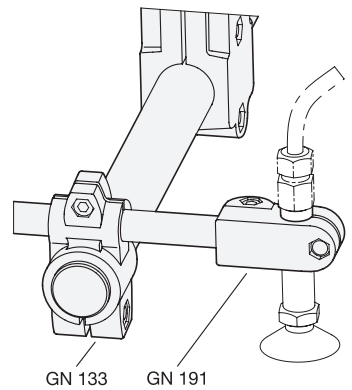
Mobile lifting table

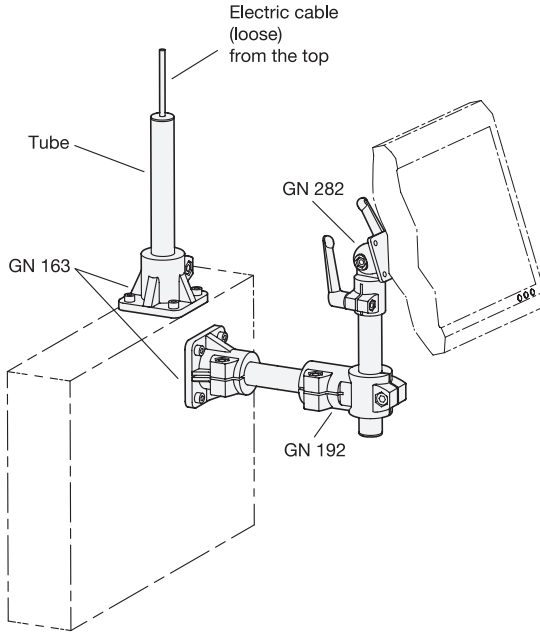


Workpiece chute
Transfer to aluminum profile system

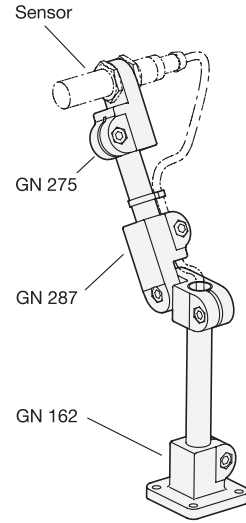


Vacuum gripper for plates

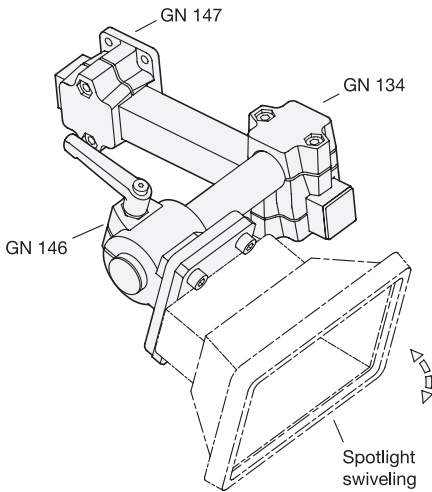




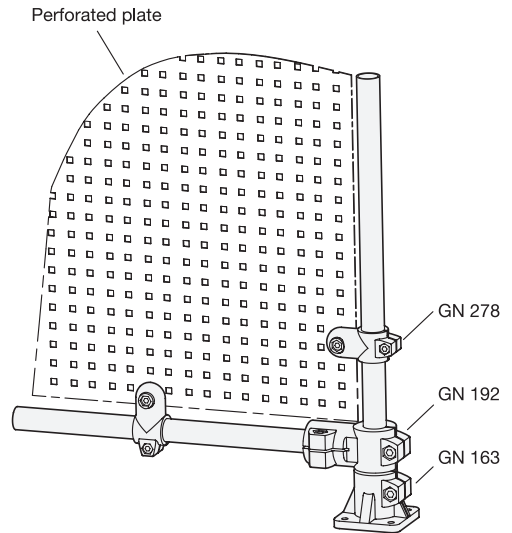
Screen holder



Sensor holder



Holder for spotlight



Safety fence

3.1

3.2

3.3

3.4

3.5

3.6

3.7

3.8

3.9

